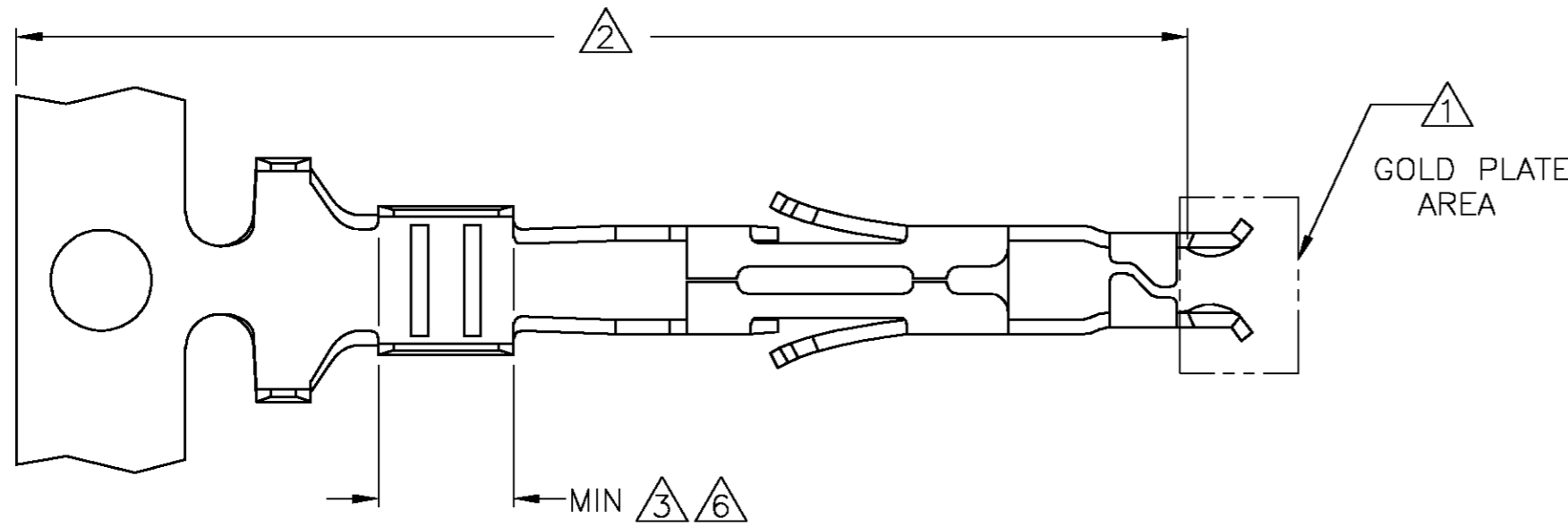
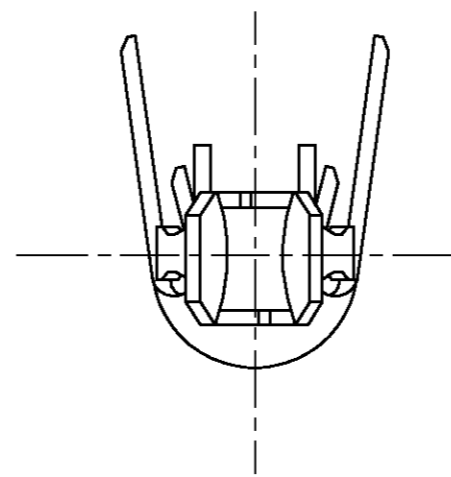
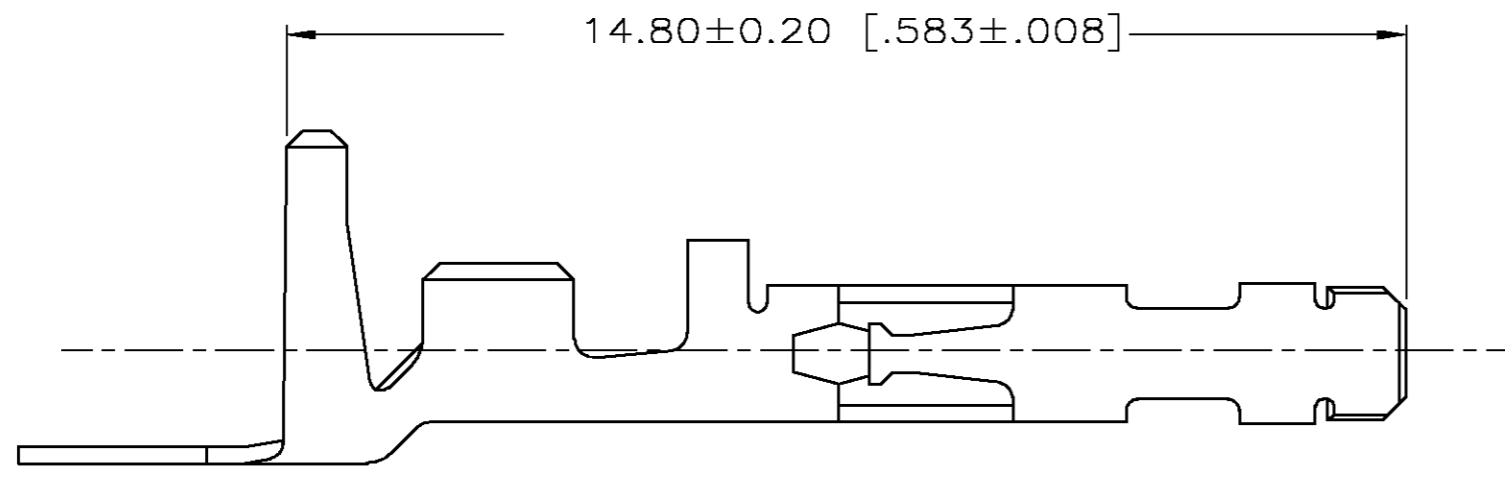


THIS DRAWING IS UNPUBLISHED. RELEASED FOR PUBLICATION
 © COPYRIGHT BY TYCO ELECTRONICS CORPORATION. ALL RIGHTS RESERVED.

LOC	DIST	REVISIONS			
P	LTR	DESCRIPTION	DATE	DWN	APVD
CM	00	G	REVISED PER 0G3B-0910-04	07APR05	KW DC



- ① FINISH: 0.76μm MIN GOLD OVER 1.27μm MIN NICKEL REQUIRED ON INNER SURFACE, PERMITTED ON OUTER SURFACE.
- ② FINISH: NICKEL BASE PLATE ON ALL SURFACES IN THIS AREA.
- ③ FINISH: 2.54μm MIN TIN-LEAD ON ALL SURFACES IN THIS AREA.
- 4. WIRE RANGE: 0.30-0.87mm² (22-18 AWG).
- 5. INSULATION RANGE: ø1.50-2.40 [ø.059-.094]
- ⑥ FINISH: 2.54μm MINIMUM TIN ON ALL SURFACES IN THIS AREA.



1-794141-3	①②⑥	0.22 [.009] PH BRZ	1-794138-3
794141-3	①②③	0.22 [.009] PH BRZ	794138-3
REFERENCE LOOSE PIECE	FINISH	MATERIAL	PART NUMBER

METRIC

THIS DRAWING IS A CONTROLLED DOCUMENT.

DIMENSIONS: MM [INCHES]	TOLERANCES UNLESS OTHERWISE SPECIFIED: 0 PLC ± 1 PLC ± 2 PLC ± 0.10 [.004] 3 PLC ± 4 PLC ± ANGLES ± 0° 30'	DWN S. HOOVER 26-SEP-2002 CHK D. COLEY 26-SEP-2002 APVD D. COLEY 26-SEP-2002	tyco Electronics Tyco Electronics Corporation Harrisburg, PA 17105-3608
MATERIAL	FINISH	PRODUCT SPEC 108-1646 APPLICATION SPEC 114-6067	NAME CONTACT, SOCKET, AMP-DUAC™ POWER CONNECTOR
		WEIGHT	RESTRICTED TO
		CUSTOMER DRAWING	SCALE 10:1 SHEET 1 OF 1 REV G

794138